

Fluidline Components, Inc
 638 S Rochester Road
 Clawson, MI 48017
 Phone 248-583-9070

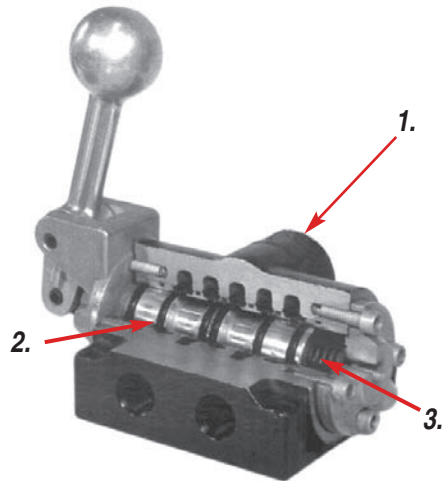
Features

Styles and Options.

5-Port, 4-Way, 2 and 3-position directional control valves.

Seven Actuator Styles.

<u>Manual</u>	<u>Electric</u>	<u>Pneumatic</u>
Hand Lever	Single Solenoid	Pilot
Pedal	Double Solenoid	Bleed
Treadle		
Palm Button		



Comprehensive Valve Design

1. Aluminum Body

Sand cast aluminum body provides a rugged, reliable valve.

2. Buna N Seals

Standard seals are Buna N, for extended valve life. Viton seals are available for high temperature applications. Consult factory for ordering information.

3. Sturdy Spools

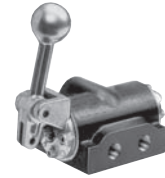
K-Series valves have an aluminum spool. This slides in a hard anodized Teflon non-stick aluminum sleeve (3/8" or 1/2" models) The sleeves are brass on 3/4" or 1" models.

4. Standard Solenoid Override Feature

3/8" and 1/2" models only.

5. External Solenoid

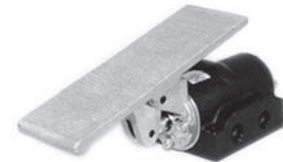
External Solenoid supply port enables valve operation for vacuum service or low pressure operations. For proper supply connection, consult factory. (Remove end cap and rotate gasket 90° for remote solenoid supply.)



Hand Lever



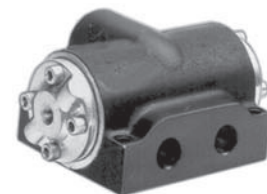
Pedal



Treadle



Solenoids



Pilot



Bleed

Ordering

K X X X XX - XXX - X

K Series Valves

Valve Type

Code	Description
2	2 Position
3	3 Position Spring Centered
5	3 Position Detent (3 & 5 all ports blocked in neutral)
6	3 Position Detent (inlet ports blocked, cylinder ports open in neutral)
7	3 Position Spring Centered (6 & 7 inlet ports blocked, cylinder ports open in neutral)

Body Style

Code	Description
1	4 Way Side Ported

Port Size

Code	Description
3	3/8" NPT
4	1/2" NPT
6	3/4" NPT
8	1" NPT

Current Type

Code	Description
A	AC
D	DC
N	No Coil

If coil option A or D is selected, a coil connector must be ordered. See Pg. 79 for coil & connector information.

Coil Voltage

Code	Description
000	No Coil
005	5V (DC only)
012	12V (AC or DC)
024	24V (AC or DC)
120	120V (AC or DC)
240	240V (AC only)

Required only with Solenoid Valves


Actuator / Return

Code	Actuator/Return
BD	Bleed/Bleed
BS	Bleed/Spring
*FP	Pedal/Pilot
*FS	Pedal/Spring
**HS	Palm/Spring
*LM	Hand Lever/Manual
*LS	Hand Lever/Spring
PD	Pilot/Pilot
PS	Pilot/Spring
SD	Solenoid/Solenoid
SS	Solenoid/Spring
*TM	Treadle/Manual


***FP, FS, LM, LS & TS** available in 3/8" and 1/2" port sizes only.

Numbering ends here if a Non-Solenoid valve is being selected.

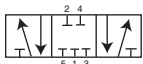
****HS** available in 3/8" port size only.



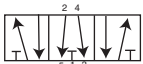
20965-X Foot Pedal Guards, for use with Pedal Style valves. See Pg. 53 (bottom) for details.



2-Position



3-Position, inlet ports blocked



3-Position, inlet blocked, cylinder ports open

Performance Specifications

Pressure Ranges:

Manual Actuators

Manual, Spring, and Pilot	0-150 (0-10.4)	20 (1.4)
---------------------------	----------------	----------

Mechanical Actuators

Manual, Spring, and Pilot	0-150 (0-10.4)	20 (1.4)
---------------------------	----------------	----------

Electric Actuators

Spring Return	50-150 (3.5-10.4)	
Spring Centered Return	60-150 (4.1-10.4)	
Solenoid Return	20-150 (1.4-10.4)	

Pneumatic Actuators

Pilot/Spring Return	0-150 (0-10.4)	50 (3.5)
Pilot/Spring Centered	0-150 (0-10.4)	60 (4.1)
Pilot/Pilot Return	50-150 (3.5-10.4)	20 (1.4)
Bleed/Spring Return	50-150 (3.5-10.4)	
Bleed/Bleed	20-150 (1.4-10.4)	

Flow & Cv Factor:

Port Size	Flow	Cv Factor
3/8"	83 SCFM	2.30
1/2"	90 SCFM	2.57
3/4"	270 SCFM	7.54
1"	280 SCFM	7.80

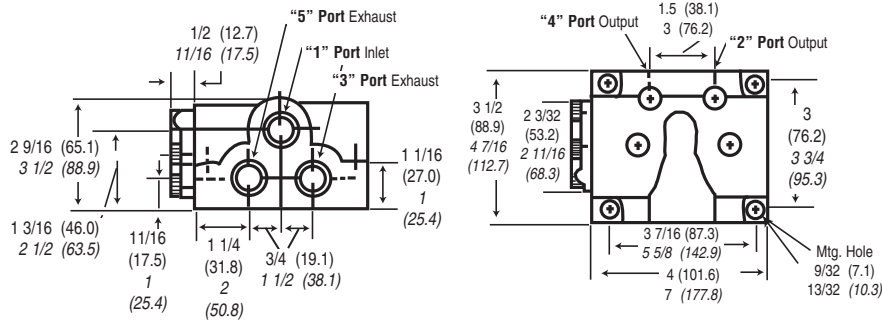
Temperature Ratings: -10° to 180° F (-23° to 82° C)

Lubrication:

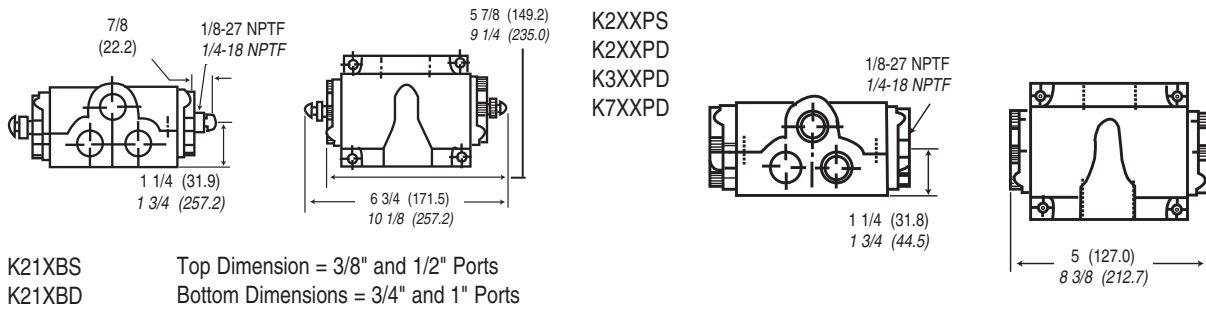
Valves use O-ring seals. For maximum performance and life expectancy, standard air line lubrication should be used.

Dimensional Data Dimensions given in Inches and (Millimeters)

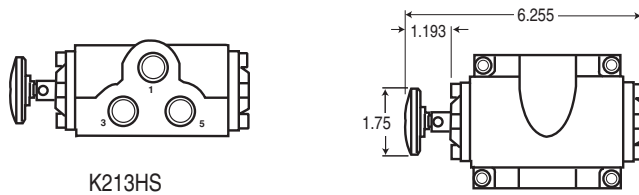
Basic Valves



Pilot and Bleed Valves



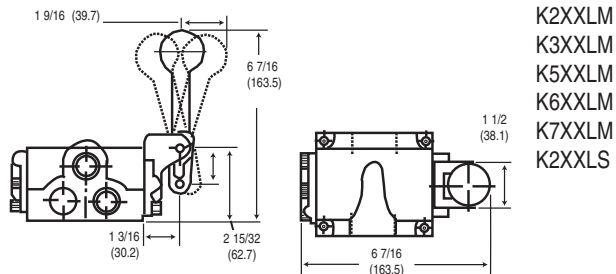
Palm Valves



Dimensional Data

Dimensions given in Inches and (Millimeters)

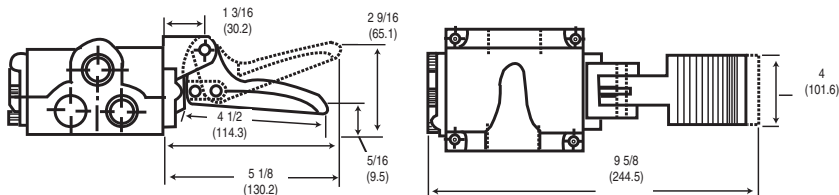
Hand Lever



- K2XXLM
- K3XXLM
- K5XXLM
- K6XXLM
- K7XXLM
- K2XXLS

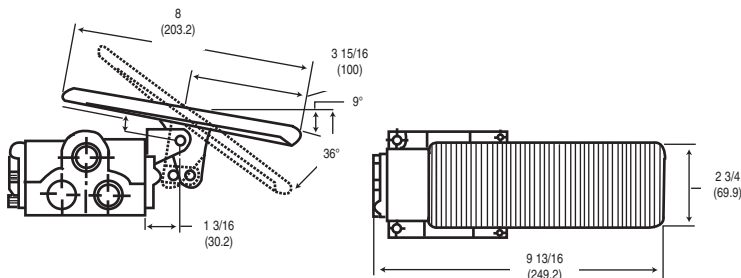
Top Dimension = 3/8" and 1/2" Ports
 Bottom Dimensions = 3/4" and 1" Ports

Pedal



- K2XXFS
- K2XXFP

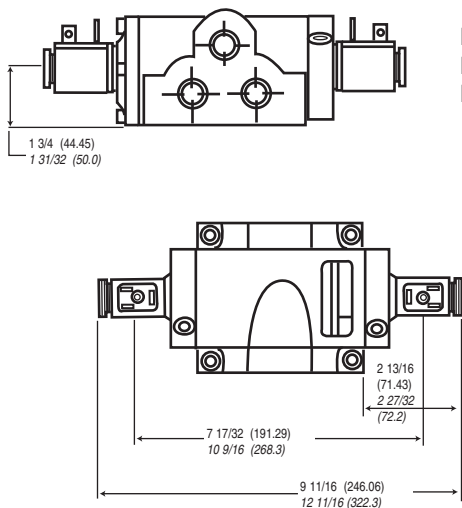
Treadle



- K2XXTM
- K5XXTM
- K6XXTM
- K3XXTS
- K7XXTS

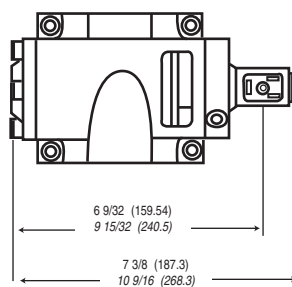
Solenoid

Double Solenoid



- K2XXSD-XXX-X
- K3XXSD-XXX-X
- K7XXSD-XXX-X

Single Solenoid



- K2XXSS-XXX-X

Top Dimension = 3/8" and 1/2" Ports
 Bottom Dimensions = 3/4" and 1" Ports

Distributed by:

Fluidline Components, Inc
 638 S Rochester Road
 Clawson, MI 48017
 Phone 248-583-9070