

CHECK VALVES

CMM Series

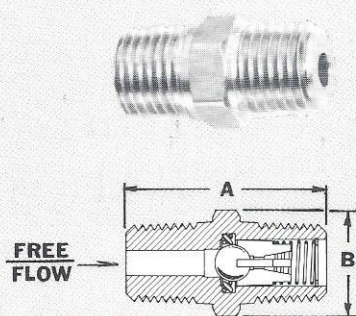
Space saving, in-line design for the control of air and liquids.

Features:

- Metal to Metal seal for leak-free liquid service.
- O-ring design for leak-free air service.
- Steel valves are zinc-plated and sealed with clear chromate for double corrosion protection.

Ordering Information:

Part Number	Body Material	Seal	Port Size (NPT) Male	A (In.)	B (In.) Hex	Orifice Diameter (In.)	CV	Cracking Pressure (PSIG)	Maximum Pressure (PSIG)
CMM250B	Brass	Metal	1/4	15/32	9/16	3/16	.5	7	1000
CMM250B-L		Viton							
CMM375B		Metal	3/8	1 1/8	1 1/16	1/4	.8	3	
CMM375B-L		Viton							
CMM250S	Steel	Metal	1/4	15/32	9/16	3/16	.5	7	3000
CMM250S-L		Viton							
CMM375S		Metal	3/8	1 1/8	1 1/16	1/4	.8	3	
CMM375S-L		Viton							



Specifications:

Maximum Operating Pressure	See Ordering Information
Temperature Range	-20°F to +400°F
Cracking Pressure	See Ordering Information
CV Factor	See Ordering Information

Materials:

Body	ASTM B16 Brass or 12L14 Steel
Ball	Stainless Steel
Retainer	Brass or Steel
Spring	Stainless Steel

8830E Excess Flow Check Series

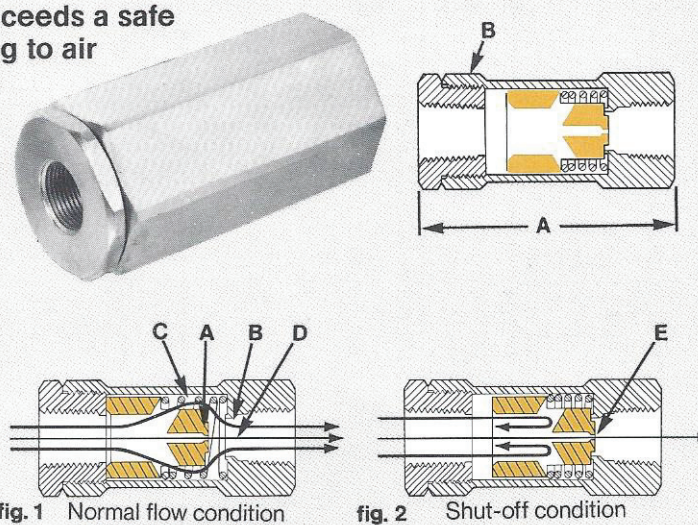
Designed to automatically close when air flow exceeds a safe level. For use on all compressed air hoses leading to air tools and pneumatic components.

Features:

- Re-sets automatically.
- In-line design for easy installation.

Operation

During normal operation, a specially molded seal (A) is held away from its seat (B) by spring (C). Air flow is allowed to pass through the orifice (D). When a sudden surge of air flow occurs which exceeds the rated flow of the valve, the resulting pressure differential forces the spring to compress and the seal to contact its seat as in figure 2. After the cause of the higher air flow is repaired, air passing through orifice (E) slowly builds downstream pressure until the differential is low enough for the spring to return the seal to its normal position.



Specifications:

Maximum Operating Pressure	250 PSIG Air
Temperature Range	-40°F to +250°F
Ports	All female NPT threads to J.I.C. Standards

Materials:

Body	Aluminum
Seat	Delrin
Spring	Stainless Steel

Ordering Information:

Part Number	P (NPT) Female	A (In.)	B (In.) Hex	Approximate closing flow rate (Standard cubic feet per minute/air)						
				(Inlet Pressure PSIG)						
				25	50	90	125	150	200	250
8830E3	3/8	3 1/2	1 3/8	29	38	48	56	60	69	76
8830E4	1/2			50	65	80	90	100	115	125
8830E6	3/4	5	2 1/4	140	175	200	260	280	320	360
8830E8	1			210	265	340	395	425	490	540